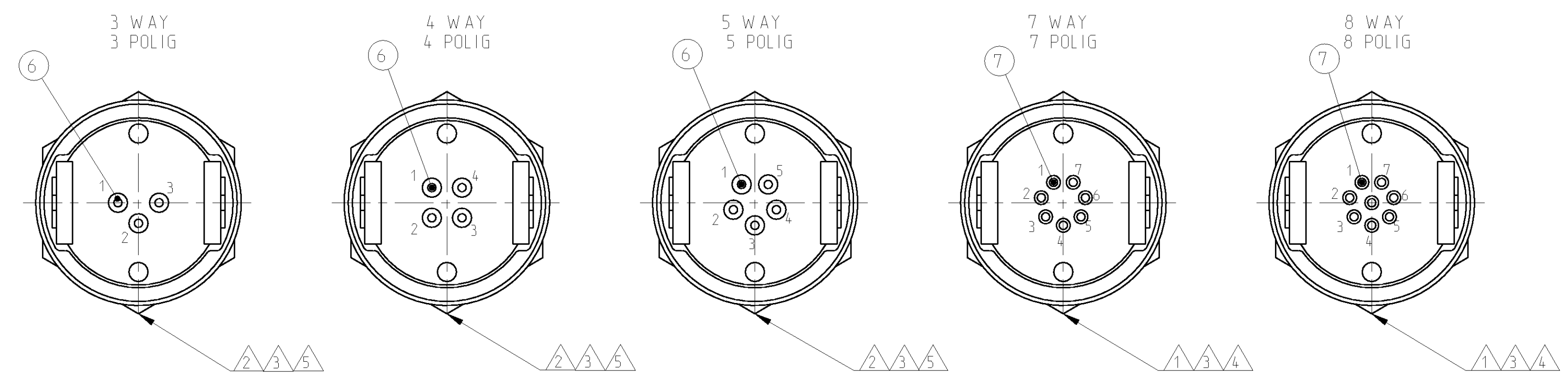
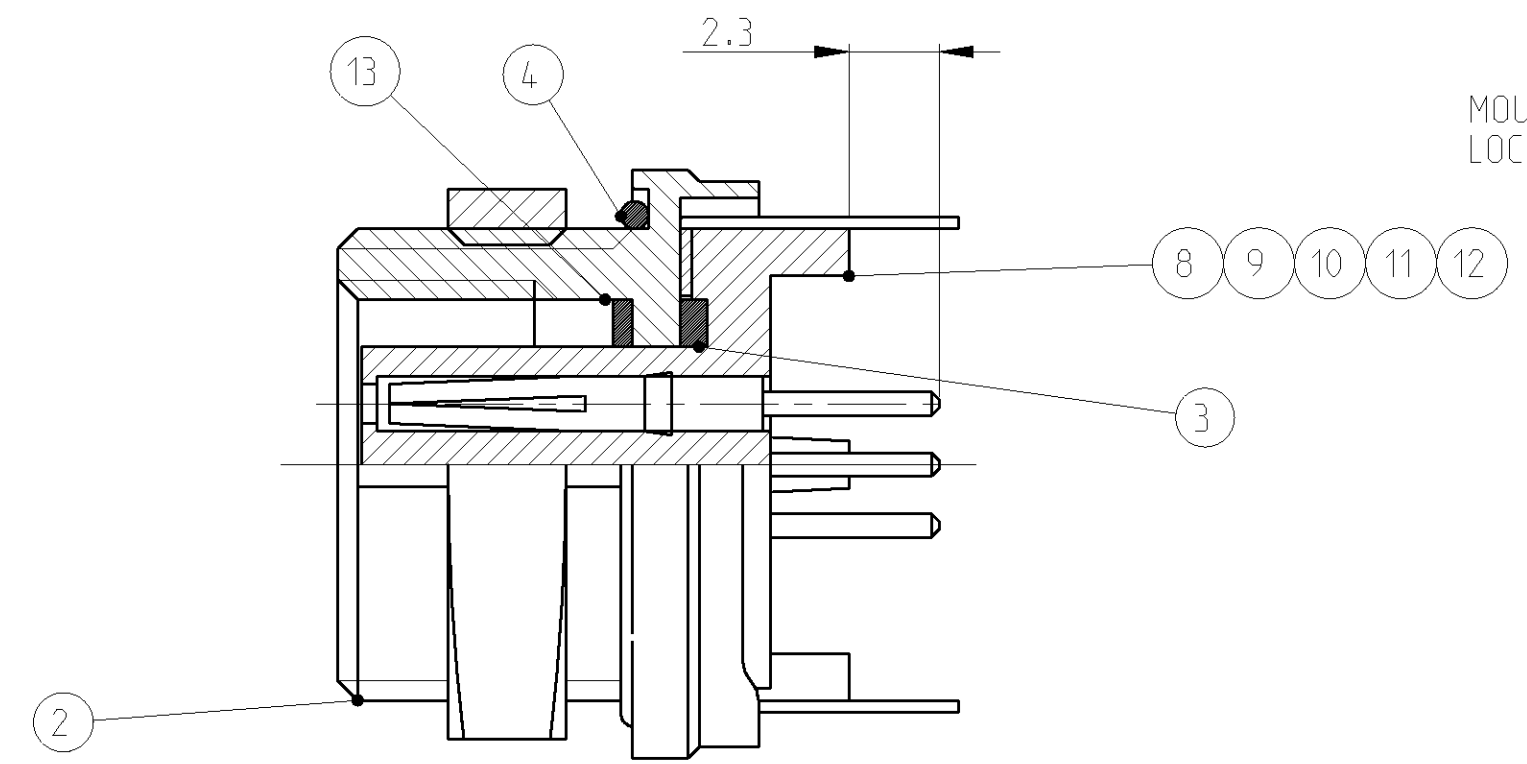
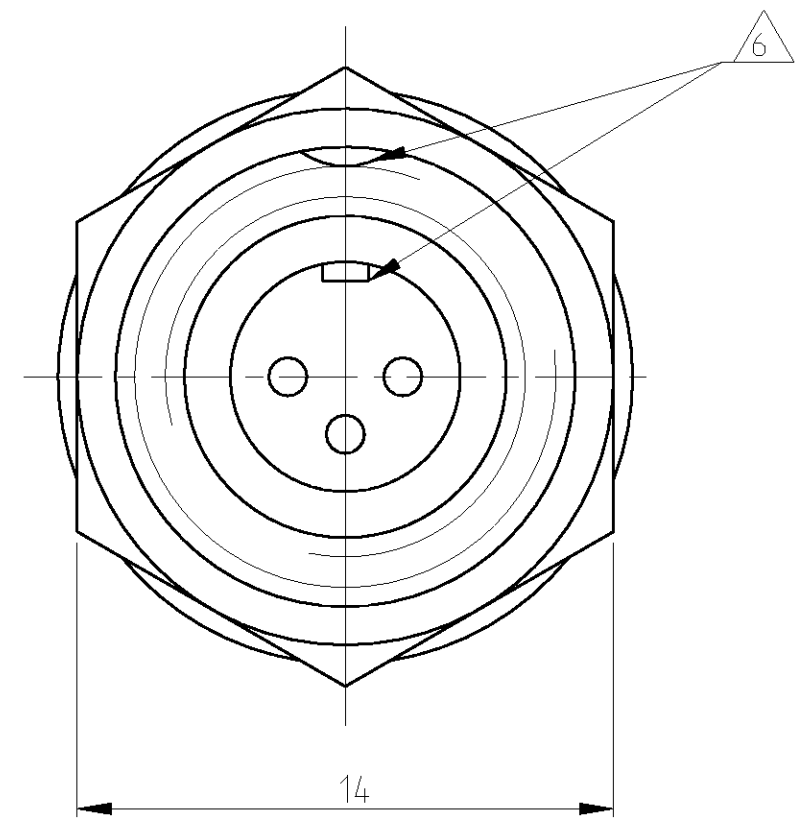
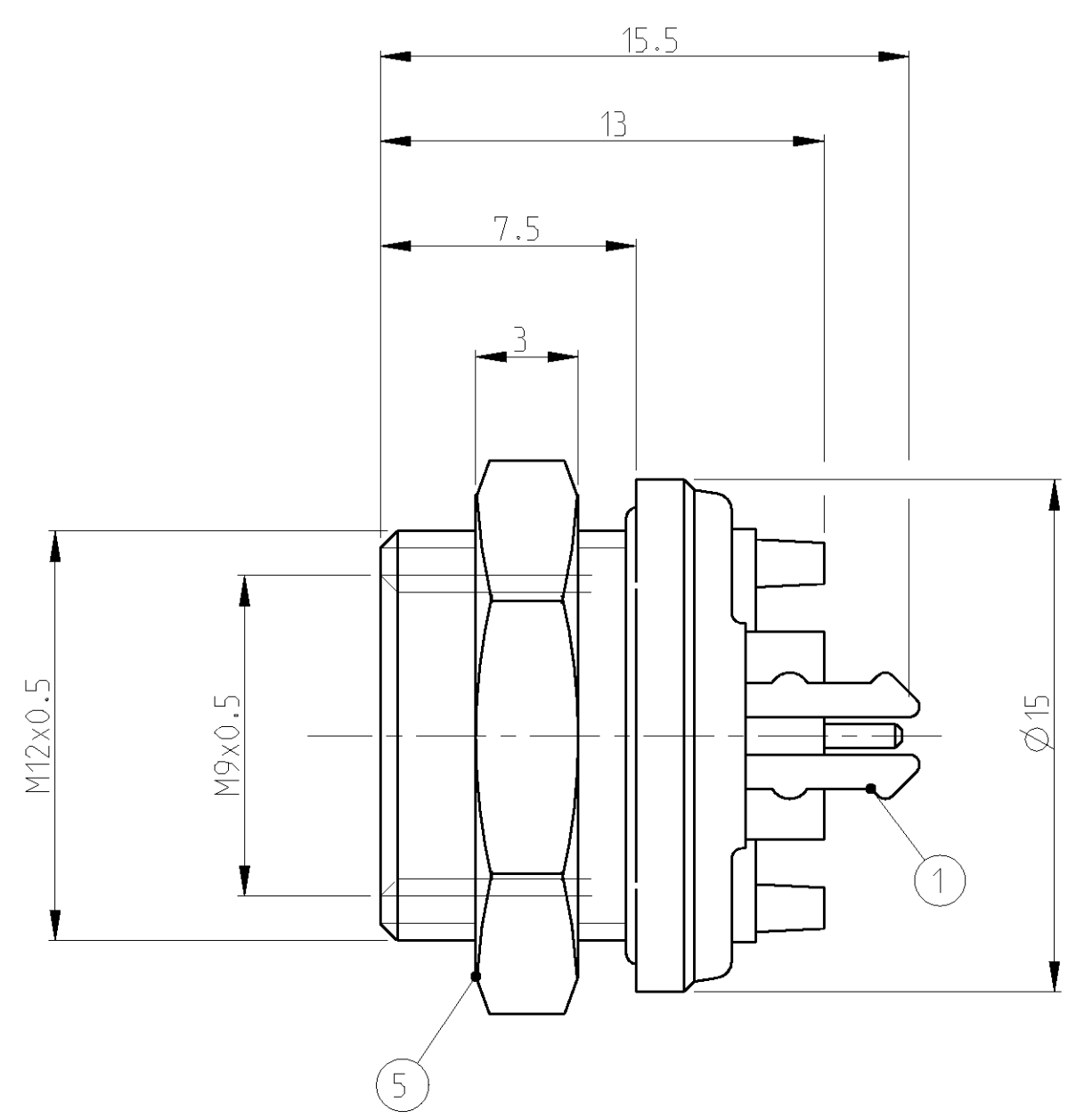
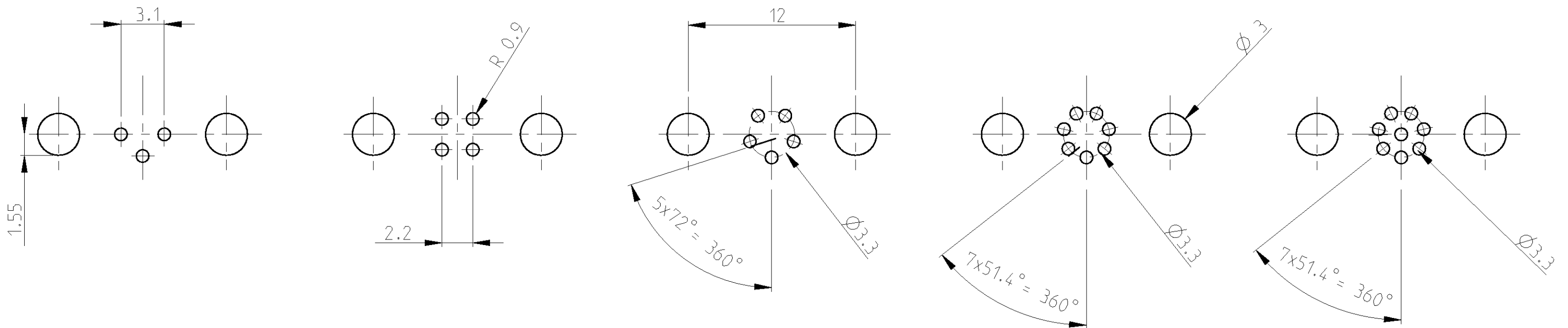


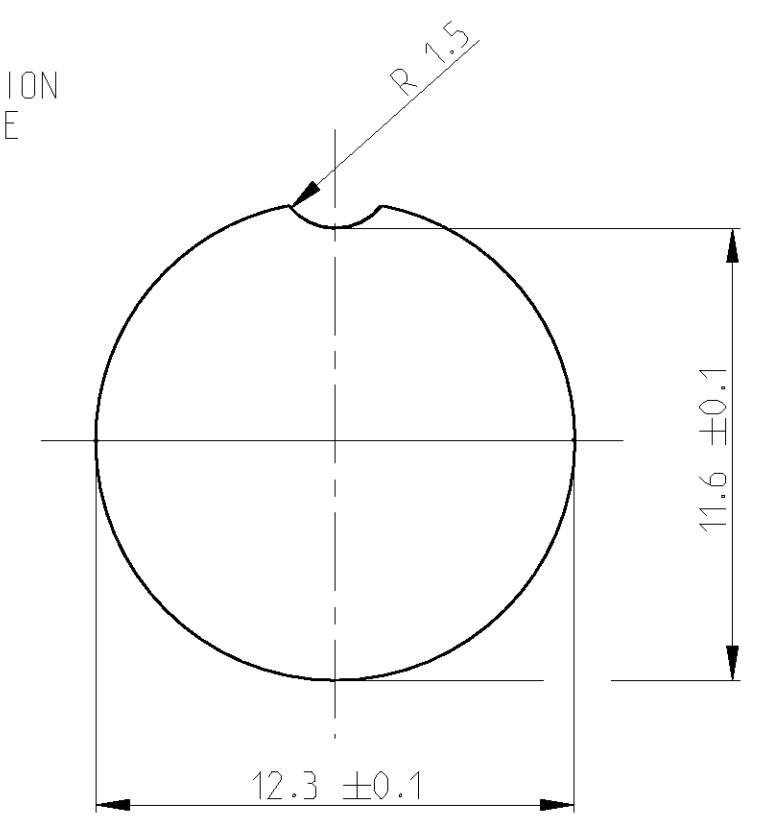
LOC	DIST	P	LTR	REVISIONS	DATE	DWN	APPR
				DESCRIPTION			
				ANÄNDERUNGEN			
				BESCHREIBUNG			
A1	-			EG00-0576-01	18JUN2001	NG	GF



PCB HOLES
 PCB THICKNESS 1.6 mm MAX.
 PCB LOCHBILD
 PCB DICKE 1.6 mm MAX.



MOUNTING HOLE DIMENSION
 LOCHBILD FUER MONTAGE



MATERIAL / MATERIAL: PBT, UL-94 V2	△7
SHELL MATERIAL / GEHAUEMATERIAL: CUZN	
FINISH / BESCHICHTUNG: TRIBOR 4 µm	
CODING / KODIERUNG	△6
WIRE GAGE / DRAHTGROESSE IN mm ² : 0.25	△5
WIRE GAGE / DRAHTGROESSE IN mm ² : 0.14	△4
CONTACT RESISTANCE / KONTAKTWIDERSTAND: => 5 mΩ	△3
RATED CURRENT PER CONTACT / NENNSTROM PRO KONTAKT: 3 A	△2
RATED CURRENT PER CONTACT / NENNSTROM PRO KONTAKT: 1 A	△1
SHELL PROTECTION CLASS / SCHUTZKLASSE: IP 65 / DIN 40050	
TERMINATION: SOLDERING / VERBINDUNG: LOETKONTAKTE	
TEST VOLTAGE / PRUEFSPANNUNG: 500 VAC	
OPERATING VOLTAGE / BETRIEBSSPANNUNG: 60 VAC	
OPERATING TEMPERATURE: -40°C TO +80°C / ARBEITSTEMPERATUR: -40°C BIS +80°C	
MATING CYCLES / STECKZYKLEN: 500 MAX.	
TECHNICAL DATA TECHNISCHE DATEN	

TYCO-NO. / TYCO NR.			
7-1437719-8			
7-1437719-5			
7-1437719-2			
6-1437719-9			
6-1437719-6			
1	1	1	1
1			
	1		
		1	
			1
8	7		
		5	4
1	1	1	1
1	1	1	1
1	1	1	1
1	1	1	1
1	1	1	1
-	-	-	-
QTY REQD PER ASSY			
CATALOG-NO.		DESCRIPTION / BESCHREIBUNG	
ITEM-NO. TEIL-NR.			
PARTS LIST / TEILE LISTE			
CATALOG-NO.		DESCRIPTION / BESCHREIBUNG	
ITEM-NO. TEIL-NR.			
PARTS LIST / TEILE LISTE			

THIS DRAWING IS CONTROLLED DOCUMENT AND THE REVISIONS REPRESENT THE LATEST APPROVED VERSION OF THE PRODUCT. ANY CHANGES TO THE DESIGN OR CONSTRUCTION OF THE PRODUCT MUST BE APPROVED BY THE DESIGN ENGINEER AND THE QUALITY CONTROL DEPARTMENT.		DWN: H. GEISLER DATE: 18 JUN 2001 CBY: H. SCHERER DATE: 18 JUN 2001	tyco Electronics AMP GmbH D - 64625 Bensheim
DIMENSIONS: TOLERANCES UNLESS OTHERWISE SPECIFIED: MASSENHEITEN (mm): TOLERANZEN UNLESS OTHERWISE SPECIFIED:		NAME: T01 FEMALE PLUG CONN. PANEL MNT. PCB VER. 3-8 POS. 180 DGR. T01 BUCHSENSTECKER.EINBAU.PCB VER. 3-8 POL. 180 GRAD	SIZE: A1 CAGE CODE: 00779 DRAWING NO.: 6-1437719-6 RESTRICTED TO: NR P/ER
MATERIAL: - FINISH/BESCHICHTUNG/FARBE: -		WEIGHT: - BEWICHT: -	CUSTOMER DRAWING: /KUNDENZEICHNUNG SCALE: - SHEET: 1 OF 1 REV: A1

6-1437719-6 AS SHOWN
 WIE GEZEICHNET